



BOBIL VANS UNDERFLOOR HEATING KIT

INSTALLATION INSTRUCTIONS

Box contents:

Heat exchanger with screws and fittings
Adaptors & jubilee clips
Controller with panel and switch
Pump
30 cms 10mm silicone hose
1 metre 8mm silicone hose
Spring clips (2 sizes) and wire clips

You will also need:

Expansion tank
8mm copper pipe

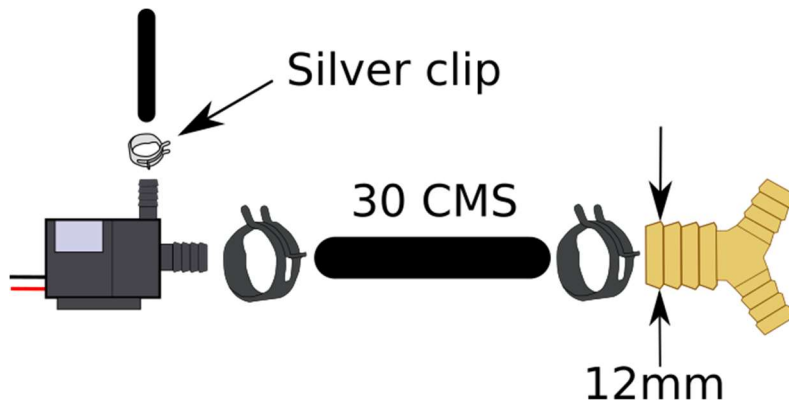
You will require the following tools:

Pliers
Knife/scissors
Drill & 4mm drill bit

Installation instructions:

Firstly you will need to create a path for the copper pipe. Route channels in the floor of your van to put the pipe into. Cut the pipe off at a convenient location.

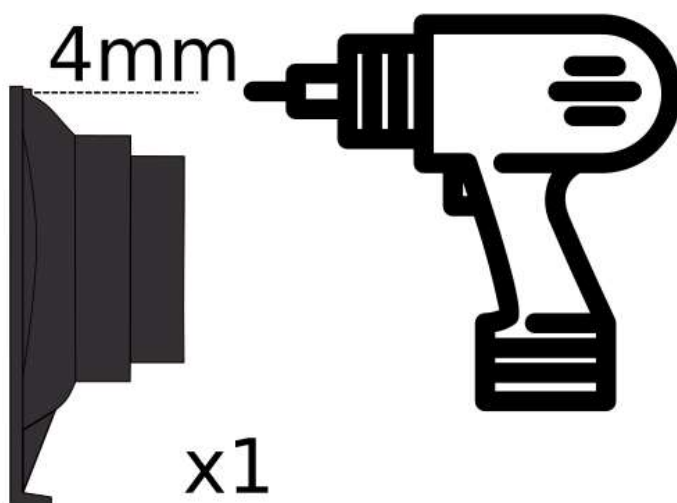
Assemble the pump onto the large and small pipes as shown.



The final result should look like this:

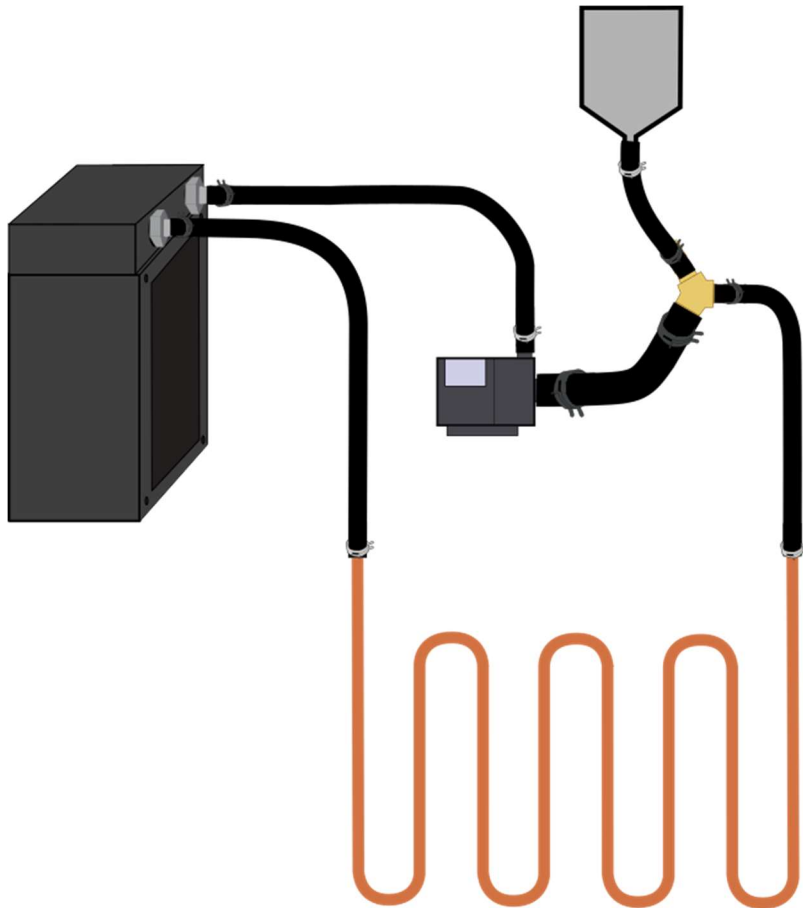


Drill a 4mm hole in one adaptor through the guide hole.



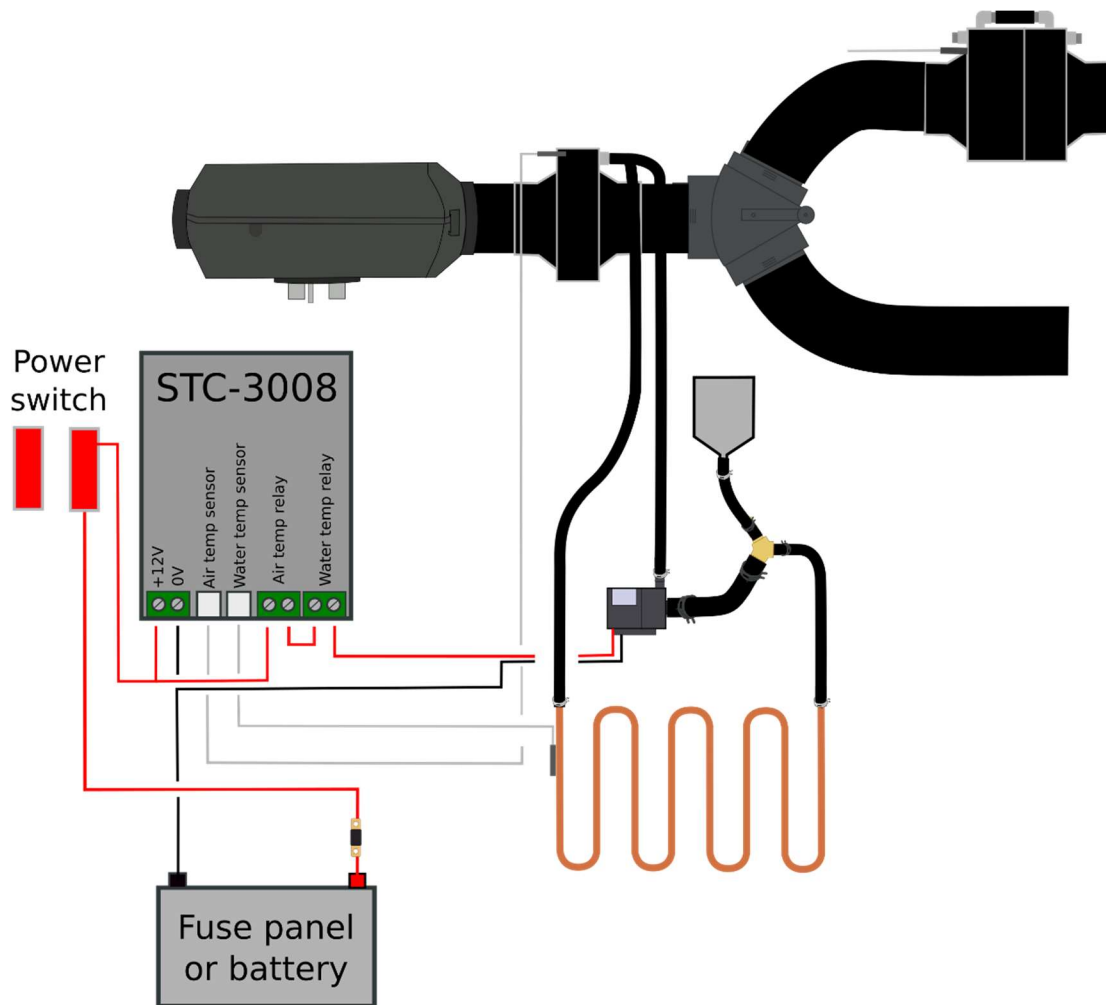
Route the top of the Y piece up to the expansion tank. Pipe up the system as shown using the clips. Note the black clips for connections onto the heat exchanger and the Y fitting, and the silver clips for the pump outlet, expansion tank inlet and connections to the copper pipe.

The pump should always pump fluid into the exchanger then round the pipes. Do not draw water into the pump directly from the exchanger as this will shorten the pump life.

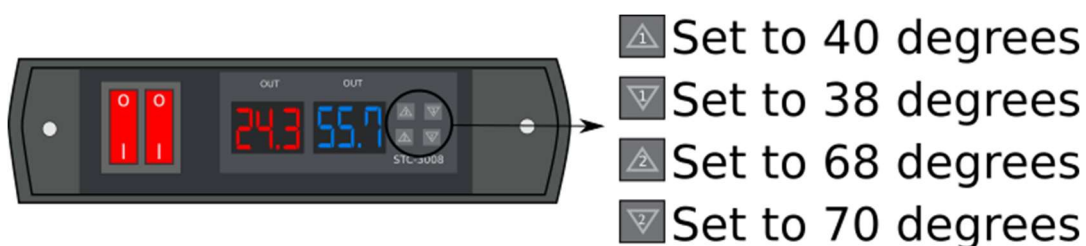


Fill the header tank with glycol and water in the appropriate mixture, following the instructions on the bottle.

To control the underfloor heating, the water temperature sensor must be attached to the copper pipe at the outlet from the floor. Heat resistant tape, thermally conductive adhesive or any kind of mechanical fixing will be fine. The air temperature sensor (which senses when the heater has come on) should be inserted into the hole drilled in the adaptor.



Set the temperature accordingly. Most domestic underfloor heating systems will run at 70 degrees. To set the air temperature turn on point to 40 degrees and the water temperature to 70 degrees, set the controller to the following values. Hold down the relevant arrow and when it starts flashing, adjust using the up and down keys.



Note that if you are fitting underfloor heating on a bonded floor, you should use a high temperature adhesive.

Switch the heater on check the pump comes on at the right time. Top up the glycol mixture after the air is expelled from the system by the pump, and again after a short drive.